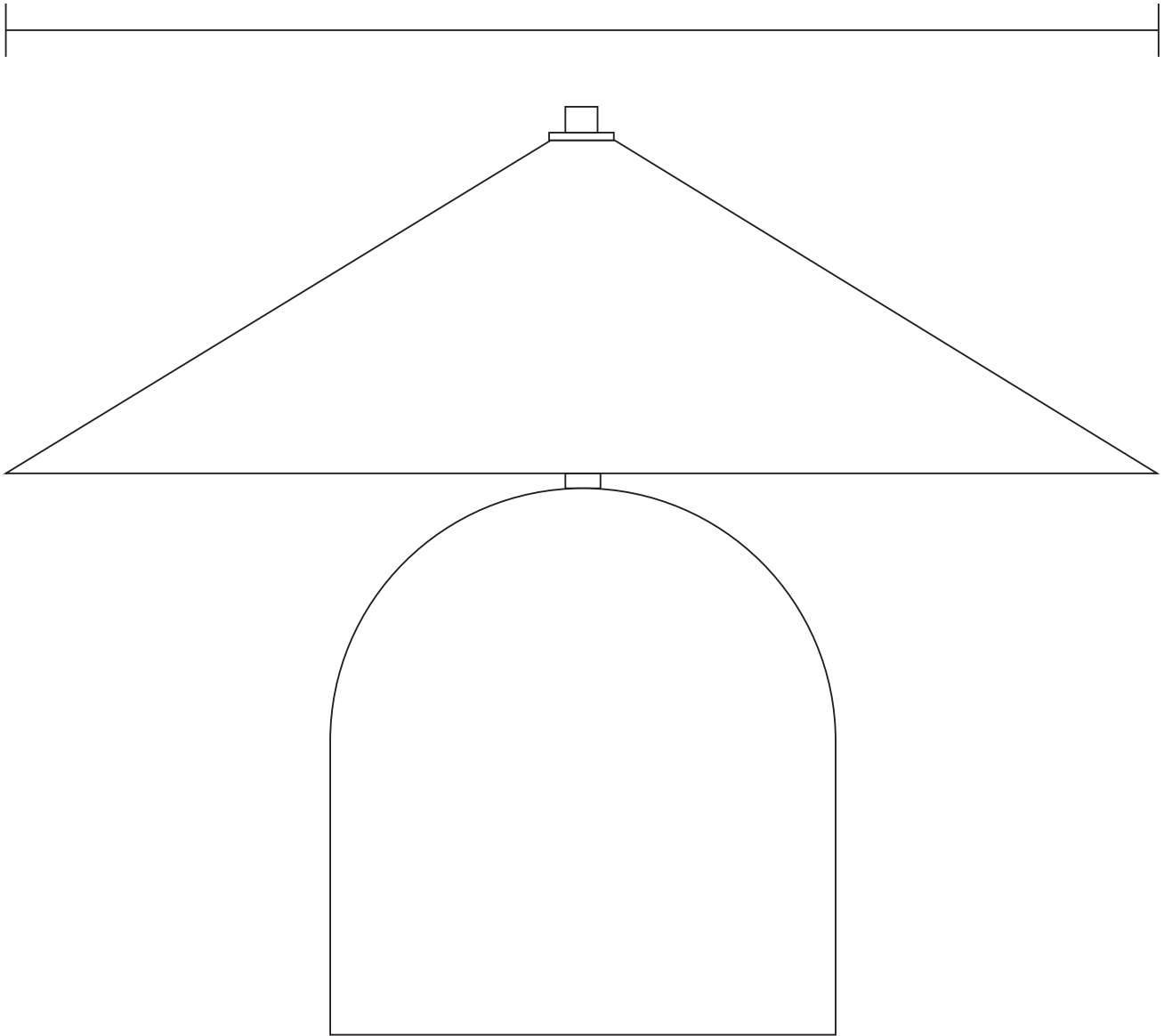


PALEFIRE

PAVILION
INSTRUCTIONS

Dimensions

40.5mm



36.5mm

PAVILION TABLE LAMP

INSTRUCTIONS & SAFETY INFORMATION UK/EU

Design by

Palefire Studio Limited

Material & finish

Hand-painted, paper pulp body and shade. Nickel plated brass fittings.

Dimensions & weight

Ø40.5cm, H. 36.5mm, 0.7kg

Lamp type & wattage

- Lamp holder: E14 (EU/UK) or E12 (US)
- Max 15W LED (bulb not included)
- Dimmable (if used with compatible dimming controls and bulbs)

IP rating

IP20

Wiring certification

CE, EN60598



SAFETY & CARE INFORMATION UK/EU

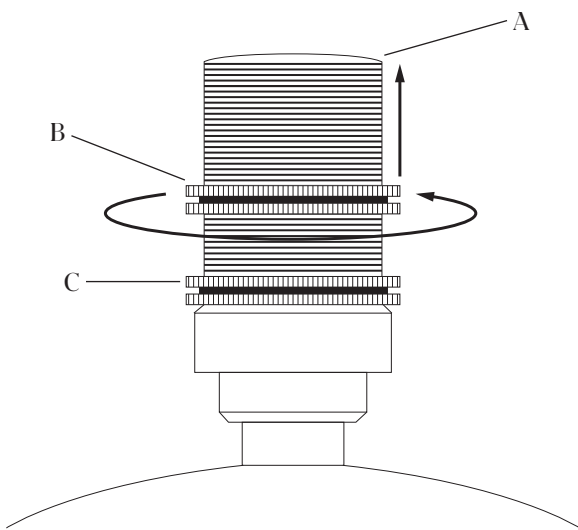
- Please read these instructions IN FULL and carefully BEFORE commencing assembly and installation.
- Always place the lamp on a flat and stable surface away from the edge.
- Do NOT use a light bulb of more than 15W.
- We strongly recommend using an LED lightbulb and we recommend an opal bulb to prevent shadowing by visible filaments.
- If the light bulb breaks, ensure lamp is unplugged before handling the light bulb.
- Do not insert fingers in to lamp holder if there is no light bulb and lamp is plugged in. Always ensure lamp is unplugged before making any changes.
- If the external flex cable is damaged, this should only be replaced by the manufacturer or a similarly qualified person.
- Our lights are handmade from natural materials and due care should be taken to avoid damage.
- Lightly dust or wipe clean with a soft, dry cloth.
- For indoor use only.
- Keep away from water. If wet, remove water immediately with a dry cloth.
- Not suitable for humid environments.
- Always carry by the base.

PAVILION TABLE LAMP

INSTRUCTIONS UK/EU PAGE 1/2

Diagram 1

A - Lamp holder
B - Top ring
C - Bottom ring

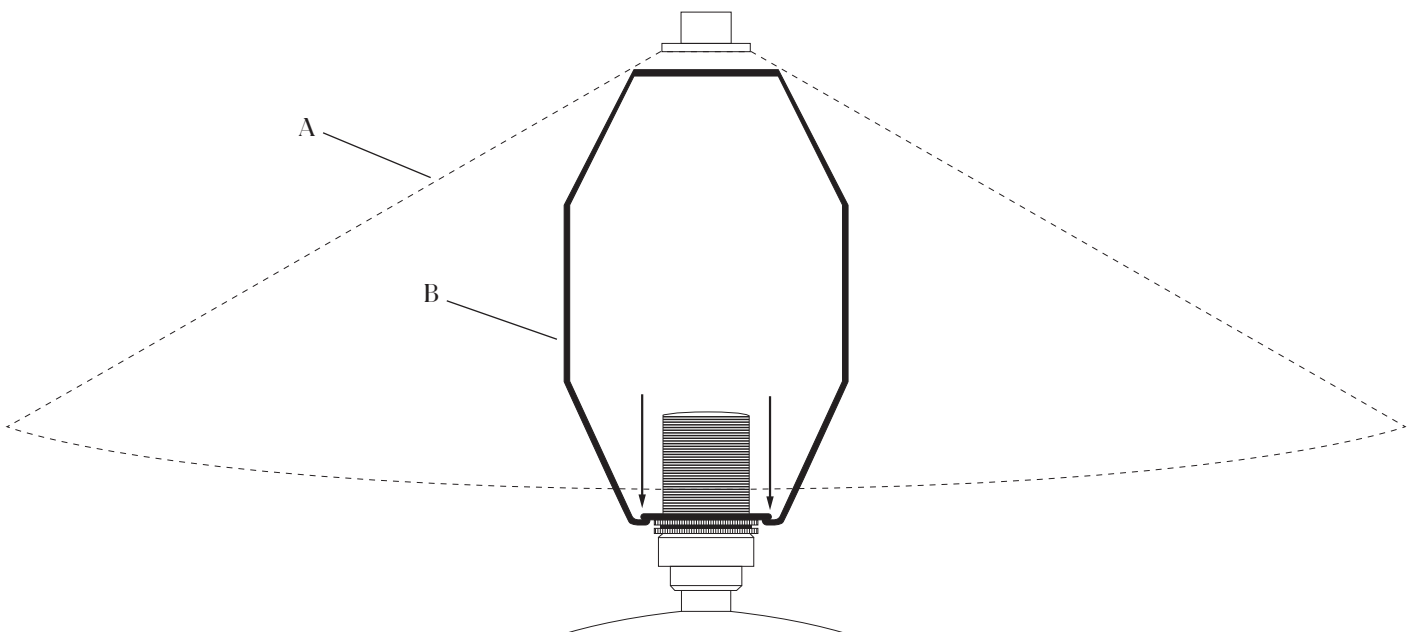


Attaching the shade to the lamp holder

1. Ensure the power is switched off. Unscrew one ring from the lampholder anti-clockwise. See Diagram 1.
2. Place on the shade with pre-fitted shade harp. See Diagram 2.
3. Add the ring back on and tighten to fix in place. Be careful not to over-tighten as it might be hard to remove. See Diagram 3.

Diagram 2

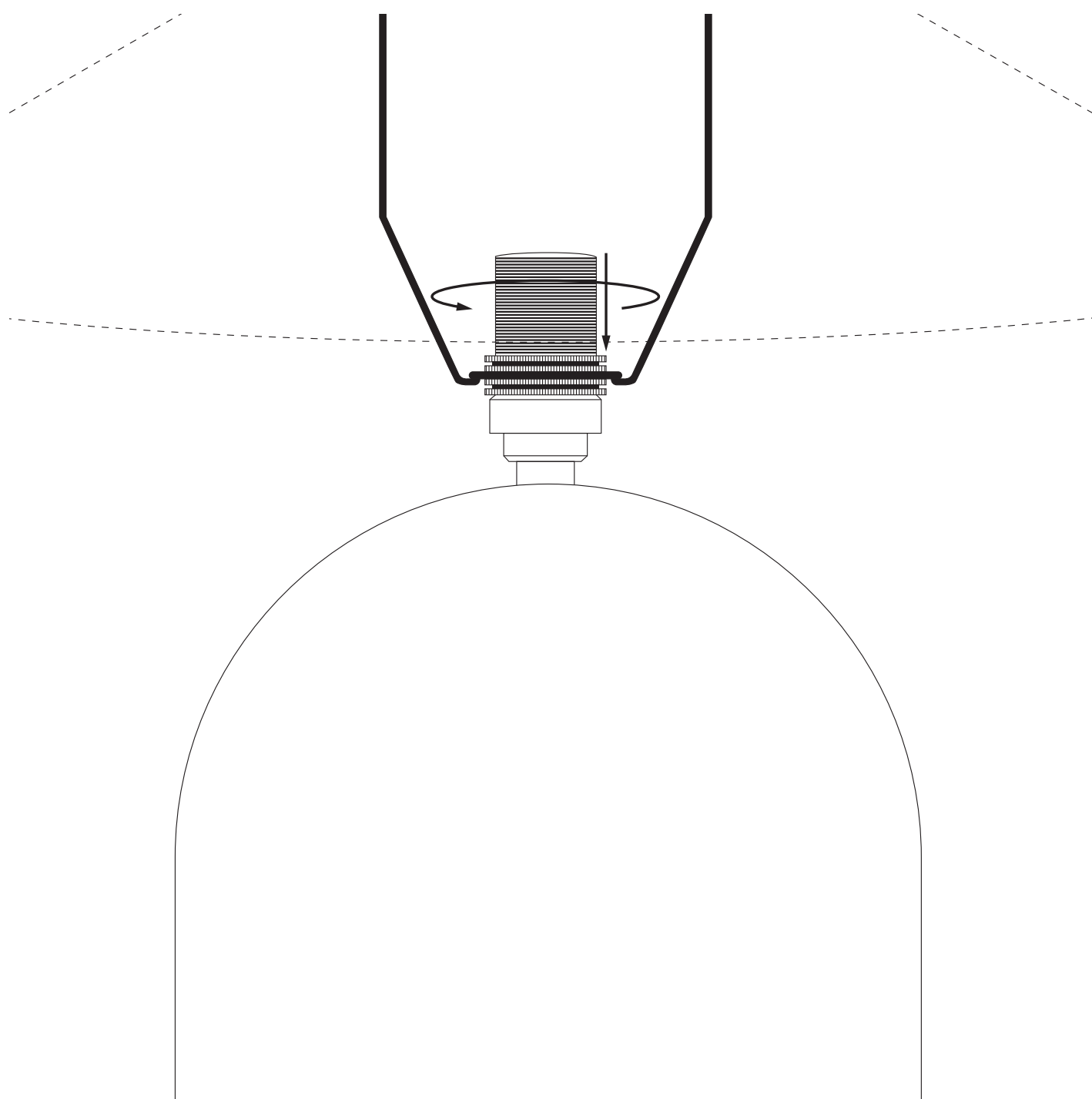
A - Lamp shade
B - Shade carrier



PAVILION TABLE LAMP

INSTRUCTIONS
UK/EU
PAGE 2/2

Diagram 3



PALEFIRE



UNIT 7 VANGUARD CT
LONDON SE5 8PX

PALEFIRESTUDIO.COM
INFO@PALEFIRESTUDIO.COM