

ROTOR WALL LIGHT



TECHNICAL DATA

Material & Finish

Hand-painted, paper pulp body and shade. Nickel plated brass fittings. Twisted, braided flex.

Dimension & Weight

Ø12.5cm, Max Depth. 18.5cm, 0.4kg

Mounting

Wall mount footprint: Ø12.5cm

IP Rating

IP20

Lamp type & wattage

- G9 lamp holder, max 10W LED (bulb not included)
- Dimmable (if used with compatible dimming controls and bulbs)

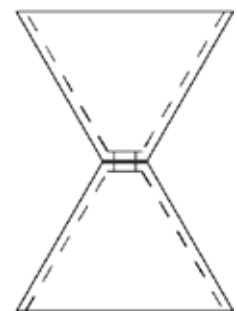
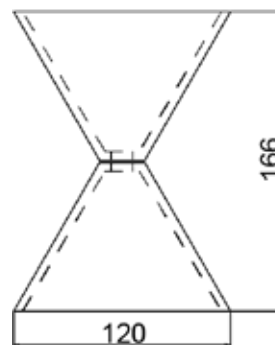
Cleaning

Lightly dust or wipe clean with a soft, dry cloth.

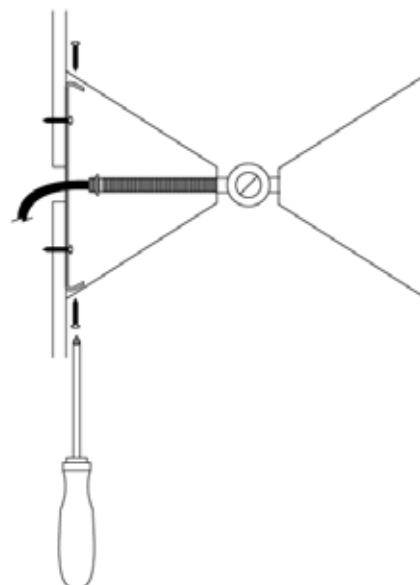
Application

Indoor use only. Not suitable for humid environments.

DIMENSIONAL DRAWING



WALL FITTING





CELADON



CELADON/CITRINE



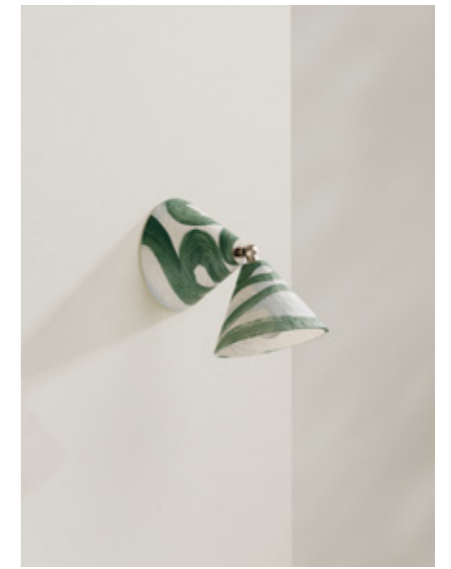
BRICK



CLOVE



CITRINE



SERPENT



flex colour



flex colour



flex colour



flex colour



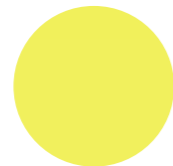
flex colour



flex colour



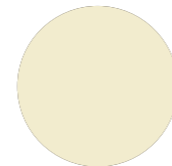
shade interior



shade interior



shade interior



shade interior



shade interior



shade interior

All wall light designs are available in the above finishes with corresponding flex for plug-in versions. The shade interior colour refers to the colour on the underside or inside of the shade.

PALEFIRE



UNIT 7 VANGAURD CT
LONDON SE5 8QT

PALEFIRESTUDIO.COM
INFO@PALEFIRESTUDIO.COM